

3-4. Wiring diagram

(1) PAC-IF011B-E(I/F)

1. Symbols used in wiring diagram are, : Connector, : Terminal block.
 2. Interface controller and outdoor connecting wires have polarities, make sure to match terminal numbers(S1, S2, S3) for correct wirings.
 3. Since the outdoor side electric wiring may change, be sure to check the outdoor unit electric wiring diagram for servicing.
 4. This diagram shows the wiring of Interface controller and outdoor connecting wires:(specification of 230V), adopting superimposed system of power and signal.
- *1 : When work to supply power separately to interface controller and outdoor units was applied, refer to Fig 1.
 *2 : Remove the short-circuited connector CNS2 when work to supply power separately to interface controller and outdoor units was applied.

SYMBOL	NAME
INTERFACE CONTROLLER	
TB6	TERMINAL BLOCK(INTERFACE/OUTDOOR CONNECTING LINE)
TB141	TERMINAL BLOCK (External Output)
TB142	TERMINAL BLOCK (External Input REMOTE SWITCH)
TB62	TERMINAL BLOCK (External Input)
TB61	THERMISTOR(TARGET PIPE)
LED1	POWER SUPPLY(I/F)
LED2-5	OPERATION INDICATION
FUSE	FUSE(T3.15A/250V)
SW1	SWITCH(Input selection of inverter capacity setting)*See table 4.
SW2	SWITCH(Function switch)*See table 5 and 6.
SW3	SWITCH(LED2-5 Display setting)
SW6	SWITCH(4-20mA/1-5V/0-10V switch)*See table 4.
ZNR01,02	VARISTOR
DSA	SURGE ABSORBER
X1-X6	RELAY
TH1	TARGET TEMP. THERMISTOR (0C/15kΩ, 25C/52kΩ DETECT)
TH2	PIPE TEMP. THERMISTOR/LIQUID (0C/15kΩ, 25C/52kΩ DETECT)
TH5	PIPE TEMP. THERMISTOR2-PHASE (0C/15kΩ, 25C/52kΩ DETECT)

table 4. SW1, SW6 : Input selection of inverter capacity setting

SW1-1	SW1-2	SW1-3	SW6-1	SW6-2	Input	Step for capacity setting
OFF	OFF	OFF	OFF	OFF	TypeA(4bit-8 setting)	OFF/Step 1/Step 2/.../Step 7/Auto
ON	OFF	OFF	OFF	OFF	TypeB(1bit-1 setting)	OFF/Step 1/Step 4/Step 7/Auto
ON	ON	OFF	ON	ON	4-20mA	OFF/Step 1/Step 2/.../Step 7
ON	ON	OFF	ON	ON	1-5V	OFF/Step 1/Step 2/.../Step 7
OFF	OFF	ON	OFF	OFF	0-10V	OFF/Step 1/Step 2/.../Step 7
ON	OFF	ON	OFF	OFF	0-10kΩ	OFF/Step 1/Step 2/.../Step 7/Auto
OFF	ON	ON	OFF	OFF	No input(Auto mode)	Only Auto mode

table 5. SW2-1/2 : Fixed operation mode

SW2-1	SW2-2	Details
OFF	OFF	Not FIX (Depending on Remote controller setting)
ON	OFF	[Cooling]FIX
OFF	ON	[Heating]FIX
ON	ON	External input(Depending on TB142-3,4)

table 6. SW2-3/2-4/2-5 : Fixed set temperature [For Auto mode]

SW2-3	SW2-4	SW2-5	Details
OFF	OFF	OFF	Not fixed (Remote controller setting)
ON	OFF	OFF	Cooling 19 °C/Heating 17 °C FIX
OFF	ON	OFF	20 °C FIX
ON	ON	OFF	22 °C FIX
OFF	OFF	ON	24 °C FIX
ON	OFF	ON	26 °C FIX
OFF	ON	ON	28 °C FIX
ON	ON	ON	Cooling 30 °C / Heating 28 °C FIX

table 7. SW2-6 : setting TH5

SW2-6	Details
OFF	Connect TH5
ON	Not connect TH5 (initial setting)

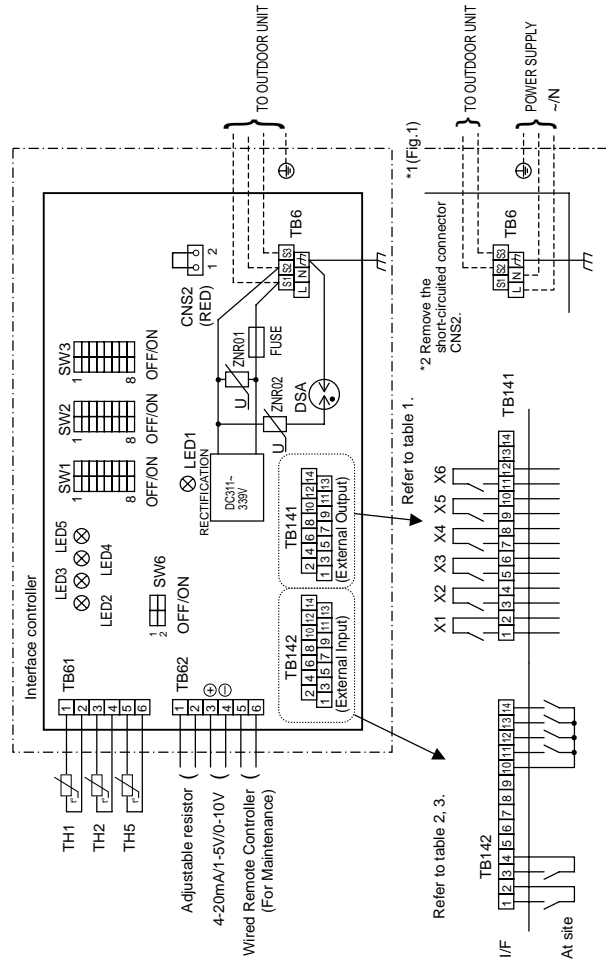


table 1

Item	Item	OFF	ON
1-2 (OUT1)	X1	Operation Output	ON
3-4 (OUT2)	X2	Error Output	Error
5-6 (OUT3)	X3	Comp. Output	OFF(Comp. OFF)
7-8 (OUT4)	X4	Defrost Output	ON (Defrosting)
9-10 (OUT5)	X5	Mode(Cool) Output	OFF (Cooling)
11-12 (OUT6)	X6	Mode(Heat) Output	ON (Heating)
13-14 (OUT7)	—	—	—

table 2

Item	Item	OFF	ON	Remark
1-2 (IN1)	Forced Comp.	OFF	Normal	Forced Comp. OFF
3-4 (IN2)	Fixed operation mode	OFF	Cooling	Heating

table 3

Item	Item	Step for capacity setting	Remark
TB142 10-11 (COM-INS)	TB142 10-13 (COM-IN8)	TypeA	Fixed capacity (Hz fixed) mode
OFF	OFF	0%	
ON	OFF	10%	
ON	OFF	20%	
ON	OFF	30%	
ON	OFF	50%	
ON	OFF	70%	
ON	OFF	100%	
ON	ON	Auto	Auto mode

